



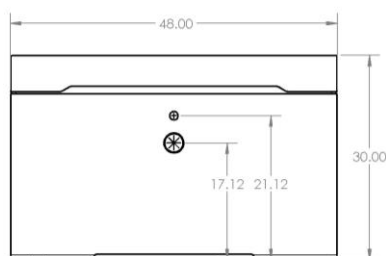
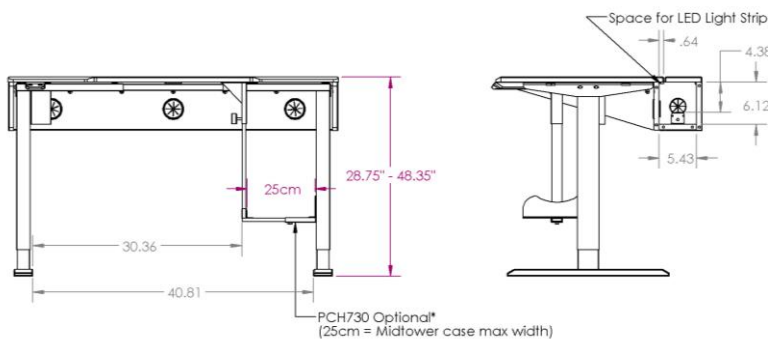
Introducing the **DS3048-LFT**: a sit stand computer desk designed for e-sports and offices alike. This height-adjustable unit boasts a built-in cable-well to accommodate our 12-outlet power bar **PB12** while also providing a space to organize cables for tidy setups. The DS3048-LFT remains versatile, meeting ADA standards with a mounted midtower computer underneath (Max case width is 9" to maintain ADA standard).

## Standard Features

- UL Certified Height Adjustable Legs
- Base Levelers
- **PB12** 12-Outlet 120V Power Bar
- Cable Well for Power Bar
- x6 Cable Grommets
- Wire Management Solutions
- Highly Resistant Thermowrap Finish
- Minor Assembly Required

## Options

- **CHGQIB** Wireless Charging Station
- **PCH730** PC Holder
- **PLM1022** LCD Monitor Mount
- **FM3** Countdown Timer and Clock
- **MIC-18** MX418 S/C Microflex Gooseneck Microphone
- **LIGHT-18** Adjustable Gooseneck Light
- **CUB3** Round Cable Well
- **CUB4** AC+USB Power Panel
- **CUB22** Black 3 Module Panel
- **CUBM3** 3 Module Power & Data Panel
- **CUBM4** 4 Module Power & Data Panel
- **C900S** Single Adjustable Monitor Arm
- **C900D** Dual Adjustable Monitor Arm
- **CUSTOM CUTOUT** Cutouts for Electronics or Other Items



## Specifications

**Model: DS3048-LFT**

**Width: 48"**

**Depth: 30"**

**Height: 28.75" – 48.35"**

## Standard Finish:



Other finishes are available. Check website.

The information contained in this drawing is the sole property of Audio Visual Furniture International. Any reproduction in part or as a whole without the written permission of Audio Visual Furniture International is prohibited. We can build or modify stock configurations to suit customer specifications. Please contact us to discuss how this service can help meet your needs. Some quantity restrictions may apply. Specification subject to change without notice. Computers, cameras, monitors, etc. are shown to illustrate product usage and are not included unless otherwise noted.